

NOV 16 2018

**NOTICE OF MEETING OF THE COMMISSIONERS' COURT OF  
HOCKLEY COUNTY, TEXAS**

*Jennifer Palermo*  
County Clerk, Hockley County, Tex

Notice is hereby given that a Special Meeting of the above named Commissioners' Court will be held on the 19th day of November, 2018 at 10:00 a.m. in the Commissioners' Courtroom, Hockley County Courthouse, Levelland, Texas, at which time the following subjects will be discussed to-wit:

1. Read for approval the minutes of the Regular Meeting of the Commissioners' Court held Monday, November 5, 2018.
2. Read for approval all monthly bills and claims submitted to the court and dated through November 19, 2018.
3. Consider and take necessary action to approve to Nunc Pro Tunc item 5 on the agenda dated November 5, 2018 which was a proposal by Shelly Means and with Property Research Partners concerning minerals owned by the County under Labor 3, League 29, Rusk County School Lands, Hockley County, Texas. The Nunc Pro Tunc is to correct the Labor shown as Labor 3 to Labor 4.
4. Consider and take necessary action to approve Ad Valorem tax refunds.
5. Consider and take necessary action to approve the road crossing for Windstream on Hawaii Road in Precinct 4.
6. Consider and take necessary action to approve the canvass of the 2018 General Election.

**COMMISSIONERS' COURT OF HOCKLEY COUNTY, TEXAS**

BY: *Sharla Baldrige*  
Sharla Baldrige, Hockley County Judge

I, the undersigned County Clerk, do hereby certify that the above Notice of Meeting of the above named Commissioners' Court, is a true and correct copy of said Notice on the bulletin board at the Courthouse, and at the east door of the Courthouse of Hockley County, Texas, as place readily accessible to the general public at all times on the 15<sup>th</sup> day of November, 2018, and said Notice remained so posted continuously for at least 72 hours preceding the scheduled time of said meeting.

Dated this 15<sup>th</sup> day of November, 2018.

*Jennifer Palermo*  
Jennifer Palermo, County Clerk, and Ex-Officio  
Clerk of Commissioners' Court, Hockley County, Texas



THE STATE OF TEXAS  
COUNTY OF HOCKLEY

IN THE COMMISSIONER'S COURT  
OF HOCKLEY COUNTY, TEXAS

SPECIAL MEETING  
NOVEMBER 19<sup>TH</sup>, 2018

Be it remembered that on this the 19<sup>TH</sup> day of November, A.D., 2018, there came on to be held a Special Meeting of the Commissioners' Court, and the Court having convened in Special session at the usual meeting place thereof at the Courthouse in Levelland, Texas, with the following members present to-wit:

Sharla Baldrige	County Judge
Curtis D. Thrash	Commissioner Precinct No. 1
Larry Carter	Commissioner Precinct No. 2
J. L. "Whitey" Barnett	Commissioner Precinct No. 3
Thomas R. "Tommy" Clevenger	Commissioner Precinct No. 4

Jennifer Palermo, County Clerk, and Ex-Officio Clerk of Commissioner' Court when the following proceedings were had, to-wit:

Motion by Commissioner Barnett, seconded by Commissioner Thrash, 4 Votes Yes, 0 Votes No, that the Minutes of a Special Meeting of the Commissioners' Court, held on Monday November 5<sup>th</sup>, 2018, A.D. be approved and stand as read.

Motion by Commissioner Clevenger, seconded by Commissioner Carter, 4Votes Yes, 0 Votes No, that Commissioner's Court approved all monthly claims and bills submitted to the court and dated through November 19<sup>th</sup>, 2018. Be approved and stand as read.

**Motion by Commissioner Carter, seconded by Commissioner Thrash, 4 Votes Yes, 0 Votes No, that Commissioners' Court approved Nunc Pro Tunc item 5 on the agenda dated November 5, 2018 which was a proposal by Shelly Means and with Property Research Partners concerning minerals owned by the County under Labor 3, League 29, Rusk County School Lands, Hockley County, Texas. The Nunc Pro Tunc is to correct the Labor shown as Labor 3 to Labor 4.**

**Motion by Commissioner Thrash, seconded by Commissioner Barnett, 4 Votes Yes, 0 Votes No, that Commissioners' Court approved Ad Valorem tax refunds in the amount of Five Hundred Forty Seven Dollars and Five cents (\$547.05) to Jared Bratcher and Alysha**

**approve the tax refund in the amount of Five Hundred Fifty Seven Dollars and Ninety Five cents (\$557.95) to Colton Walker**

**approve the tax refund in the amount of Five Hundred Forty Two Dollars and Fifty Eight Cents (\$542.58) to Bratcher Jared and Alysha**

**approve the tax refund in the amount of Six Hundred Thirty Dollars and Ninety Four Cents (\$630.94) to Nelson Reinsch**

**As per Tax Assessor Collector recorded below.**

HOCKLEY COUNTY  
624 AVENUE H, SUITE 101  
LEVELLAND, TX 79336-3706  
(806)894-4938



AIMBANK  
LEVELLAND, TEXAS  
88-2106/1113

017952  
17952

11/13/2018

DATE

\$547.05

AMOUNT

PAY TO THE  
ORDER OF

\*\*\*\*\*547

05

DOLLARS

CENTS

BRATCHER JARED & ALYSHA  
308 E ELLIS ST

LEVELLAND, TX 79336

TAX ACCOUNT

AUTHORIZED SIGNATURE

⑈017952⑈ ⑆111321063⑆ ⑈ 659746⑈

REFUND POSTING CLERK-DB  
HOCKLEY COUNTY TAX ACCOUNT

017952

17952

BRATCHER JARED & ALYSHA

11/13/2018

\$547.05

01 REF R16489

291

113.24

30 REF R16489

291

352.00

50 REF R16489

291

80.30

60 REF R16489

291

1.51

PRIOR YEAR REFUND

2016055029

\*REFUND DUE TO AN ASSESSMENT CORRECTION\*

HOCKLEY COUNTY TAX ACCOUNT

17952

PAYMENT  
RECORD

VOL. 67 PAGE 492

WHITCO CHECKS - AMARILLO

HOCKLEY COUNTY  
624 AVENUE H, SUITE 101  
LEVELLAND, TX 79336-8706  
(806)894-4938



AIMBANK  
LEVELLAND, TEXAS  
88-2106/1113

017966  
17966

11/13/2018

DATE

\$557.95

AMOUNT

PAY TO THE  
ORDER OF

\*\*\*\*\*557

95

DOLLARS

CENTS

COLTER WALKER  
2030 LONGHORN DR

LEVELLAND, TX 79336

TAX ACCOUNT

AUTHORIZED SIGNATURE

⑈017966⑈ ⑆111321063⑆ ⑆ 659746⑈

REFUND POSTING CLERK-DB  
HOCKLEY COUNTY TAX ACCOUNT

017966

17966

COLTER WALKER

11/13/2018

\$557.95

01 REF R12068  
30 REF R12068  
50 REF R12068  
60 REF R12068

291  
291  
291  
291

120.26  
347.00  
89.14  
1.55

PRIOR YEAR REFUND 2017055043  
\*REFUND DUE TO AN ASSESSMENT CORRECTION\*

HOCKLEY COUNTY TAX ACCOUNT

17966

PAYMENT  
RECORD

VOL. 67 PAGE 493

HOCKLEY COUNTY  
624 AVENUE H, SUITE 101  
LEVELLAND, TX 79336-8706  
(806)894-4938



AIMBANK  
LEVELLAND, TEXAS  
88-2106/1113

017962  
17962

11/13/2018

DATE

\$542.58

AMOUNT

PAY TO THE  
ORDER OF

\*\*\*\*\*542

58

DOLLARS

CENTS

BRATCHER JARED K & ALYSHA  
308 E ELLIS

LEVELLAND, TX 79336

TAX ACCOUNT

AUTHORIZED SIGNATURE

⑈017962⑈ ⑆111321063⑆ ⑈ 659746⑈

REFUND POSTING CLERK-DB  
HOCKLEY COUNTY TAX ACCOUNT

017962

17962

BRATCHER JARED K & ALYSHA

11/13/2018

\$542.58

01 REF R16489

16

111.50

30 REF R16489

16

347.00

50 REF R16489

16

82.64

60 REF R16489

16

1.44

PRIOR YEAR REFUND

2017055038

\*REFUND DUE TO AN ASSESSMENT CORRECTION\*

HOCKLEY COUNTY TAX ACCOUNT

17962

PAYMENT  
RECORD

VOL. 67 PAGE 494

WHITCO CHECKS - AMARILLO

HOCKLEY COUNTY OFFICE EXPENSE  
PH: 806-894-4938 - FAX: 806-894-6917  
802 HOUSTON ST SUITE 106  
L'VELLAND, TX 79336-3706

10946

DATE 11 16 20 18

PAY TO THE ORDER OF Nelson Bentsch

\$ 630.00

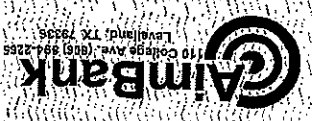
Six Hundred Thirty Dollars & 00/100

DOLLARS  Check amount subject to hold

THIS CHECK IS DEPOSITED FOR PAYMENT ON THE ACCOUNT(S) LISTED

10/24/18	Sold K-5235 Unmolded
	Value on K15238 + K15239.

⑆010946⑆ ⑆111321063⑆ ⑆659754⑆





**Motion by Commissioner Clevenger, seconded by Commissioner Thrash, 4 Votes Yes, 0 Votes No, that Commissioners' Court approved the road crossing for Windstream on Hawaii Road in Precinct 4. As per Petition and Order recorded below.**

BEFORE THE HONORABLE BOARD OF COUNTY COMMISSIONERS  
HOCKLEY COUNTY, TEXAS

IN THE MATTER OF THE APPLICATION OF WINDSTREAM COMM FOR AUTHORITY TO  
USE A PART OF THE PUBLIC ROADS OF HOCKLEY COUNTY, TEXAS

ORDER

This cause coming on to be upon the petition of WINDSTREAM COMM, hereinafter referred to as "Petitioner". The Board finds that in order that Petitioner may carry out its corporate objects and powers, it is necessary for it to lay, construct, operate and maintain buried cable across certain county roads situated in Hockley County, Texas, as set forth in the Petitioner's application filed herein.

THEREFORE, IT IS HEREBY ORDERED that, subject to the conditions herein after set forth, said Petitioner, WINDSTREAM COMM is hereby granted permission and authority to lay, construct, operate and maintain buried cable across certain county roads at the locations set forth in Exhibits "A" and "B" attached to the application of Petitioner herein, which Exhibits "A" and "B" and application are hereby made a part of this order as fully as if set out in length herein provided.

1. The Petitioner shall, in constructing said buried cable undercrossings cause the very minimum of inconvenience and obstruction of public travel along said roads, and, further, shall operate and maintain said buried cable undercrossings in a manner so as not to inconvenience, endanger or obstruct public travel along said roads.
2. Upon the completion of each buried cable undercrossing constructed hereunder Petitioner shall immediately backfill, re-construct and replace the portions of the roads across which said buried cable are laid and constructed so that such roads shall be in equally as good a condition as prior to such construction.
3. So long as said buried cable are maintained and operated under said roads Petitioner shall be responsible for doing any work which, due to the existence of said buried cable undercrossings, needs to be done on said roads at the location thereof, all in order to maintain said roads, at such points, in a condition equal to other portions of said county roads.
4. Should Petitioner remove said buried cable from any of said roads, it will replace and recondition the road concerned, at the location of said removal, in substantially the same condition as it was prior to such removal, all liability of Petitioner for the maintenance and reconditioning of such roads shall cease as soon after such removal as the COUNTY OF HOCKLEY has approved the maintenance and reconditioning work done by Petitioner.
5. Petitioner agrees that if at any time the County of Hockley shall deem it necessary to make any improvements or changes on all of or any part of the right of way of the county roads which affect the Utility as located under this order, then and in such event, the Petitioner or his Assignee shall make such reasonable changes of its facilities located within such right of way as may be deemed necessary, such work to be done without cost to Hockley County, Texas.
6. The construction or laying of said buried cable by Petitioner hereunder shall be considered and shall constitute and acceptance of this order and of all of the terms and conditions herein set forth.
7. Petitioner agrees that if at any time the County of Hockley deems it necessary that these crossings be encased in accordance with the then existing State Highway specifications, Petitioner agrees to do so at its own expense.

Sharla Baldrige  
County Judge

Justin Threl  
Commissioner, Precinct No. 1

Ramy Carter  
Commissioner, Precinct No. 2

11-19-2018  
Date

F. L. Barnett  
Commissioner, Precinct No. 3

Tommy Olyn  
Commissioner, Precinct No. 4

BEFORE THE HONORABLE BOARD OF COUNTY COMMISSIONERS  
HOCKLEY COUNTY, TEXAS

IN THE MATTER OF THE APPLICATION OF WINDSTREAM COMMUNICATIONS, FOR  
AUTHORITY TO USE A PART OF THE PUBLIC ROADS OF HOCKLEY COUNTY, TEXAS

PETITION

Comes now, the Petitioner, ROCKY JENKS, and petitions this Honorable Board for the right and authority to lay, construct, operate and maintain 1 FIBER pipelines under and across certain county roads situated in Hockley County, Texas, which said pipelines are to be used for the purpose of transporting COMMUNICATIONS from the Petitioner's sources of supply to Petitioner's markets.

The location of the points at which Petitioner wishes to undercross said county roads with said pipelines and the general specifications are more particularly described on a map marked Exhibit "A" and general specifications marked Exhibit "B", all of which are attached hereto and made a part of this application. Petitioner represents and states that if granted the authority herein requested, it will conform with and abide by the rules of all persons and bodies having jurisdiction and by the following conditions:

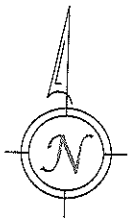
1. The Petitioner shall, in constructing said pipelines undercrossings cause the very minimum of inconvenience and obstruction of public travel along said roads, and, further, shall operate and maintain said pipelines undercrossings in a manner so as not to inconvenience, endanger or obstruct public travel along said roads.
2. Upon the completion of each pipelines undercrossing constructed hereunder Petitioner shall immediately backfill, re-construct and replace the portions of the roads across which said pipelines are laid and constructed so that such roads shall be in equally as good a condition as prior to such construction.
3. So long as said pipelines are maintained and operated under said roads Petitioner shall be responsible for doing any work which, due to the existence of said pipelines undercrossings, needs to be done on said roads at the location thereof, all in order to maintain said roads, at such points, in a condition equal to other portions of said county roads.
4. Should Petitioner remove said pipelines from any of said roads, it will replace and recondition the road concerned, at the location of said removal, in substantially the same condition as it was prior to such removal, all liability of Petitioner for the maintenance and reconditioning of such roads shall cease as soon after such removal as the COUNTY OF HOCKLEY has approved the maintenance and reconditioning work done by Petitioner.
5. Petitioner agrees that if at any time the County of Hockley shall deem it necessary to make any improvements or changes on all of or any part of the right of way of the county roads which affect the Utility as located under this order, then and in such event, the Petitioner or his Assignee shall make such reasonable changes of its facilities located within such right of way as may be deemed necessary, such work to be done without cost to Hockley County, Texas.
6. The construction or laying of said pipelines by Petitioner hereunder shall be considered and shall constitute and acceptance of this order and of all of the terms and conditions herein set forth.
7. Petitioner agrees that if at any time the County of Hockley deems it necessary that these crossings be encased in accordance with the then existing State Highway specifications, Petitioner agrees to do so at its own expense.

Wherefore, your Petitioner respectfully prays that your Honorable Board enter and order herein authorizing Petitioner to use and occupy the portions of the roads in Hockley County, Texas, more particularly herein above set out and described and at the locations shown and set out in said Exhibits "A" and "B" attached to this application.

DATED this 26TH day of NOVEMBER, 2018

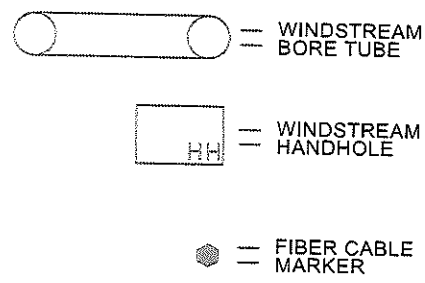
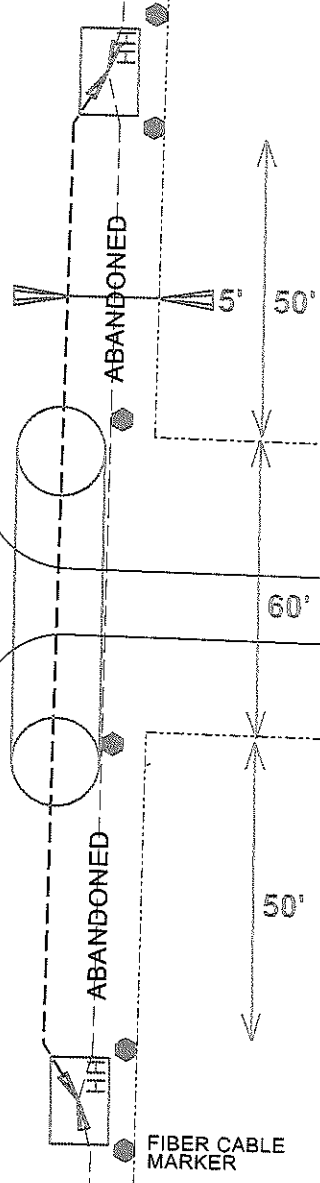
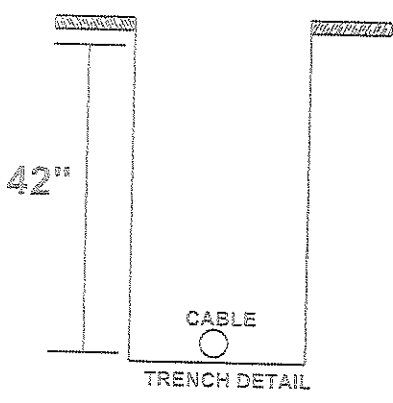
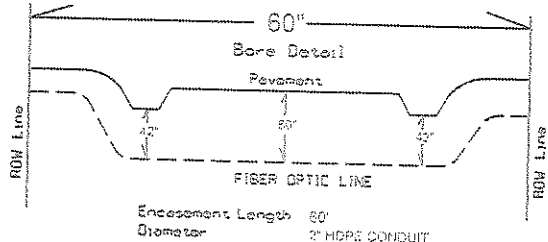
BY ROCKY JENKS

*Rocky Jenks*



COUNTY RD

COUNTY RD



MAP LEGEND	
PROPERTY LINE	---
ROW	----
EGP or ROAD SURFACE	=====
FENCE	-----
BURIED PIPELINE	-----
NEW CABLE (AERIAL)	GREEN
FIBER (AERIAL)	BLUE
CABLE (AERIAL)	-----
NEW CABLE (BURIED)	GREEN
CABLE (BURIED)	-----
FIBER (BURIED)	BLUE

160' of 2" Conduit 60" Deep  
 Fiber optic  
 TC

**Motion by Commissioner Carter, seconded by Commissioner Thrash, 4 Votes Yes, 0 Votes No, that Commissioners' Court approved the canvass of the 2018 General Election. As per the Canvass of General Election recorded below.**

## CANVASS OF GENERAL ELECTION

I, SHARLA BALDRIDGE, COUNTY JUDGE  
(name) (office)

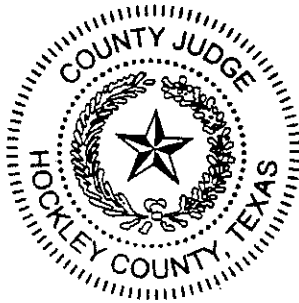
of HOCKLEY COUNTY, Texas, met with the COMMISSIONERS' COURT  
(political subdivision holding election) (body acting as canvassing board)

sitting as the canvassing board to canvass the general election of NOVEMBER 6, 2018

on NOVEMBER 19, 2018 at HOCKLEY COUNTY Texas.  
COMMISSIONERS' COURTROOM

I certify that the figures on the tally sheets correspond with the figures on the returns.

Witness my hand this 19TH day of NOVEMBER, 2018.



Sharla Baldrige  
Presiding Officer of Canvassing Authority

# Public Results

Machine ID: A Machine #: 4517023046

Hockley County, Texas  
2018 General Election  
11/06/2018

11/06/2018 14:57:34

First Ballot Date Time: 11/06/2018 12:28:36  
Last Ballot Date Time: 11/06/2018 14:57:19

Total Sheets Processed: 3679 + 4 = 3683  
Total Ballots Cast: 3679  
Blank Sheets Cast: 13

Contest	Votes
<b>Straight Party</b>	
(Vote For 1)	
Republican Party	1830 + 1 = 1831
Democratic Party	292
Libertarian Party	3
<b>Total</b>	<b>2125 + 1 = 2126</b>
<b>U.S. Senator</b>	
(Vote For 1)	
REP Ted Cruz	3025 + 1 = 3026
DEM Beto O'Rourke	623 + 11 = 634
LIB Neal M. Dikeman	14
<b>Total</b>	<b>3662 + 4 = 3666</b>
<b>U.S. Rep Dist 19</b>	
(Vote For 1)	
REP Jodey Arrington	3103 + 11 = 3114
DEM Miguel Levario	534 + 11 = 545
<b>Total</b>	<b>3637 + 4 = 3641</b>
<b>Governor</b>	
(Vote For 1)	
REP Greg Abbott	3080 + 1 = 3081
DEM Lupe Valdez	528 + 111 = 639
LIB Mark Jay Tippetts	40
<b>Total</b>	<b>3648 + 4 = 3652</b>
<b>Lieutenant Governor</b>	
(Vote For 1)	
REP Dan Patrick	2750 + 1 = 2751
DEM Mike Collier	802 + 111 = 913
LIB Kerry Douglas McKennon	75
<b>Total</b>	<b>3627 + 4 = 3631</b>
<b>Attorney General</b>	
(Vote For 1)	
REP Ken Paxton	2901 + 1 = 2902
DEM Justin Nelson	661 + 111 = 772
LIB Michael Ray Harris	55
<b>Total</b>	<b>3617 + 4 = 3621</b>
<b>Comptroller of Public Accounts</b>	
(Vote For 1)	
REP Glenn Hegar	2989 + 11 = 3000
DEM Joi Chevalier	521 + 11 = 532
LIB Ben Sanders	80
<b>Total</b>	<b>3590 + 4 = 3594</b>
<b>Comm of the General Land Office</b>	
(Vote For 1)	
REP George P. Bush	2938 + 11 = 2949
DEM Miguel Suazo	529 + 11 = 540
LIB Matt Pina	124
<b>Total</b>	<b>3591 + 4 = 3595</b>

EARLY VOTING

# Public Results

Machine ID: A Machine #: 4517023046

Hockley County, Texas  
2018 General Election  
11/06/2018

11/06/2018 14:57:34

First Ballot Date Time: 11/06/2018 12:28:36  
Last Ballot Date Time: 11/06/2018 14:57:19

Total Sheets Processed: 3679 + 4 = 3683  
Total Ballots Cast: 3679  
Blank Sheets Cast: 13

Contest	Votes
<b>Commissioner of Agriculture</b>	
(Vote For 1)	
REP Sid Miller	2970 I = 2971
DEM Kim Olson	588 III = 591
LIB Richard Carpenter	48
<b>Total</b>	<b>3606 + 4 = 3610</b>
<b>Railroad Commissioner</b>	
(Vote For 1)	
REP Christi Craddick	3016 I = 3017
DEM Roman McAllen	519 II = 521
LIB Mike Wright	68 I = 69
<b>Total</b>	<b>3603 + 4 = 3607</b>
<b>Justice, Supreme Ct, PI 2</b>	
(Vote For 1)	
REP Jimmy Blacklock	2998 I = 2999
DEM Steven Kirkland	592 III = 595
<b>Total</b>	<b>3590 + 4 = 3594</b>
<b>Justice, Supreme Ct, PI 4</b>	
(Vote For 1)	
REP John Devine	3010 I = 3011
DEM R.K. Sandill	572 III = 575
<b>Total</b>	<b>3582 + 4 = 3586</b>
<b>Justice, Supreme Ct, PI 6</b>	
(Vote For 1)	
REP Jeff Brown	3003 II = 3005
DEM Kathy Cheng	582 II = 584
<b>Total</b>	<b>3585 + 4 = 3589</b>
<b>Presiding Judge, Ct of Crim App</b>	
(Vote For 1)	
REP Sharon Keller	2981 I = 2982
DEM Maria T. (Terri) Jackson	558 III = 561
LIB William Bryan Strange III	51
<b>Total</b>	<b>3590 + 4 = 3594</b>
<b>Judge, Ct of Crim App, PI 7</b>	
(Vote For 1)	
REP Barbara Parker Hervey	3011 II = 3013
DEM Ramona Franklin	569 II = 571
<b>Total</b>	<b>3580 + 4 = 3584</b>
<b>Judge, Ct of Crim App, PI 8</b>	
(Vote For 1)	
REP Michelle Slaughter	3087 II = 3089
LIB Mark Ash	306 II = 308
<b>Total</b>	<b>3393 + 4 = 3397</b>
<b>State Rep, District 88</b>	
(Vote For 1)	
REP Ken King	3052 III = 3055
DEM Ezekiel Barron	560 I = 561

EARLY VOTING



# Public Results

Machine ID: A Machine #: 4517023046

Hockley County, Texas  
2018 General Election  
11/06/2018

11/06/2018 14:57:34

First Ballot Date Time: 11/06/2018 12:28:36  
Last Ballot Date Time: 11/06/2018 14:57:19

Total Sheets Processed: 3679 + 4 = 3683  
Total Ballots Cast: 3679  
Blank Sheets Cast: 13

Contest	Votes
<b>Total</b>	<b>3612 + 4 = 3616</b>

**Justice, 7th Ct of App Dist, Pl 2**

(Vote For 1)  
REP Judy Parker 3194 III = 3197  
**Total** 3194 + 3 = 3197

**Justice, 7th Ct of App Dist, Pl 3**

(Vote For 1)  
REP Pat Pirtle 3178 III = 3181  
**Total** 3178 + 3 = 3181

**District Judge, 286th Judicial Dist**

(Vote For 1)  
REP Pat Phelan 3264 IIII = 3268  
**Total** 3264 + 4 = 3268

**County Judge**

(Vote For 1)  
REP Sharla Baldrige 3110 III = 3113  
DEM Wally DeLossantos 506 I = 507  
**Total** 3616 + 4 = 3620

**Trustee Whitharral ISD**

(Vote For 4)  
Michael De La Cruz 17  
Anthony Albus 24  
James Coronado 6  
Chris Driver 22  
Jason Dobrovoly 30  
Monty Rodgers 21  
BJ Kennedy 22  
Shane Wischkaemper 11  
**Total** 153

**PROPOSITION A**

(Vote For 1)  
FOR 36  
AGAINST 24  
**Total** 60

EARLY VOTING

# Public Results

Machine ID: A Machine #: 4517023046

Hockley County, Texas  
2018 General Election  
11/06/2018

11/06/2018 21:10:42  
 First Ballot Date Time: 11/06/2018 12:28:36 Total Sheets Processed: 2439  
 Last Ballot Date Time: 11/06/2018 21:06:27 Total Ballots Cast: 2439  
 Blank Sheets Cast: 0

Contest	Votes
<b>Straight Party</b>	
(Vote For 1)	
Republican Party	1080
Democratic Party	322
Libertarian Party	15
<b>Total</b>	<b>1417</b>
<b>U.S. Senator</b>	
(Vote For 1)	
REP Ted Cruz	1818
DEM Beto O'Rourke	585
LIB Neal M. Dikeman	25
<b>Total</b>	<b>2428</b>
<b>U.S. Rep Dist 19</b>	
(Vote For 1)	
REP Jodey Arrington	1884
DEM Miguel Levario	532
<b>Total</b>	<b>2416</b>
<b>Governor</b>	
(Vote For 1)	
REP Greg Abbott	1866
DEM Lupe Valdez	499
LIB Mark Jay Tippetts	55
<b>Total</b>	<b>2420</b>
<b>Lieutenant Governor</b>	
(Vote For 1)	
REP Dan Patrick	1665
DEM Mike Collier	687
LIB Kerry Douglas McKennon	62
<b>Total</b>	<b>2414</b>
<b>Attorney General</b>	
(Vote For 1)	
REP Ken Paxton	1796
DEM Justin Nelson	560
LIB Michael Ray Harris	56
<b>Total</b>	<b>2412</b>
<b>Comptroller of Public Accounts</b>	
(Vote For 1)	
REP Glenn Hegar	1808
DEM Joi Chevalier	489
LIB Ben Sanders	100
<b>Total</b>	<b>2397</b>
<b>Comm of the General Land Office</b>	
(Vote For 1)	
REP George P. Bush	1786
DEM Miguel Suazo	510
LIB Matt Pina	105
<b>Total</b>	<b>2401</b>

ELECTION DAY

# Public Results

Machine ID: A Machine #: 4517023046

Hockley County, Texas  
2018 General Election  
11/06/2018

11/06/2018 21:10:42

First Ballot Date Time:	11/06/2018 12:28:36	Total Sheets Processed:	2439
Last Ballot Date Time:	11/06/2018 21:06:27	Total Ballots Cast:	2439
		Blank Sheets Cast:	0

Contest	Votes
<b>Commissioner of Agriculture</b>	
(Vote For 1)	
REP Sid Miller	1808
DEM Kim Olson	533
LIB Richard Carpenter	65
<b>Total</b>	<b>2406</b>
<b>Railroad Commissioner</b>	
(Vote For 1)	
REP Christi Craddick	1830
DEM Roman McAllen	495
LIB Mike Wright	74
<b>Total</b>	<b>2399</b>
<b>Justice, Supreme Ct, PI 2</b>	
(Vote For 1)	
REP Jimmy Blacklock	1840
DEM Steven Kirkland	550
<b>Total</b>	<b>2390</b>
<b>Justice, Supreme Ct, PI 4</b>	
(Vote For 1)	
REP John Devine	1852
DEM R.K. Sandill	533
<b>Total</b>	<b>2385</b>
<b>Justice, Supreme Ct, PI 6</b>	
(Vote For 1)	
REP Jeff Brown	1839
DEM Kathy Cheng	545
<b>Total</b>	<b>2384</b>
<b>Presiding Judge, Ct of Crim App</b>	
(Vote For 1)	
REP Sharon Keller	1797
DEM Maria T. (Terr) Jackson	535
LIB William Bryan Strange III	61
<b>Total</b>	<b>2393</b>
<b>Judge, Ct of Crim App, PI 7</b>	
(Vote For 1)	
REP Barbara Parker Hervey	1850
DEM Ramona Franklin	539
<b>Total</b>	<b>2389</b>
<b>Judge, Ct of Crim App, PI 8</b>	
(Vote For 1)	
REP Michelle Slaughter	1892
LIB Mark Ash	297
<b>Total</b>	<b>2189</b>
<b>State Rep, District 88</b>	
(Vote For 1)	
REP Ken King	1871
DEM Ezekiel Barron	533

ELECTION DAY

VOL. 07 PAGE 506

# Public Results

Machine ID: A Machine #: 4517023046

Hockley County, Texas  
2018 General Election  
11/06/2018

11/06/2018 21:10:42

First Ballot Date Time: 11/06/2018 12:28:36  
Last Ballot Date Time: 11/06/2018 21:06:27

Total Sheets Processed: 2439  
Total Ballots Cast: 2439  
Blank Sheets Cast: 0

Contest	Votes
<b>Total</b>	<b>2404</b>
<b>Justice, 7th Ct of App Dist, PI 2</b> (Vote For 1) REP Judy Parker	
<b>Total</b>	<b>2034</b>
<b>Justice, 7th Ct of App Dist, PI 3</b> (Vote For 1) REP Pat Pirtle	
<b>Total</b>	<b>2023</b>
<b>District Judge, 286th Judicial Dist</b> (Vote For 1) REP Pat Phelan	
<b>Total</b>	<b>2055</b>
<b>County Judge</b> (Vote For 1) REP Sharla Baldrige DEM Wally DeLossantos	
<b>Total</b>	<b>1897</b> <b>502</b> <b>2399</b>
<b>Trustee Whitharral ISD</b> (Vote For 4) Michael De La Cruz Anthony Albus James Coronado Chris Driver Jason Dobrovolny Monty Rodgers BJ Kennedy Shane Wischkaemper	
<b>Total</b>	<b>35</b> <b>71</b> <b>18</b> <b>36</b> <b>74</b> <b>48</b> <b>25</b> <b>33</b> <b>340</b>
<b>PROPOSITION A</b> (Vote For 1) FOR AGAINST	
<b>Total</b>	<b>78</b> <b>29</b> <b>107</b>

**ELECTION DAY**

# Public Results

Machine ID: A    Machine #: 4517023046    Hockley County, Texas  
 2018 General Election  
 11/06/2018

11/06/2018 21:22:39  
 First Ballot Date Time: 11/06/2018 12:28:36    Total Sheets Processed: 6118 + 4 = 6122  
 Last Ballot Date Time: 11/06/2018 21:21:12    Total Ballots Cast: 6118    5 Blank Sheets  
 Blank Sheets Cast: 13    Election Day

Contest	Votes
<b>Straight Party</b>	
(Vote For 1)	
Republican Party	2910 + 1 = 2911
Democratic Party	614
Libertarian Party	18
<b>Total</b>	<b>3542 + 1 = 3543</b>
<b>U.S. Senator</b>	
(Vote For 1)	
REP Ted Cruz	4843 + 1 = 4844
DEM Beto O'Rourke	1208 + 3 = 1211
LIB Neal M. Dikeman	39
<b>Total</b>	<b>6090 + 4 = 6094</b>
<b>U.S. Rep Dist 19</b>	
(Vote For 1)	
REP Jodey Arrington	4987 + 2 = 4989
DEM Miguel Levario	1066 + 2 = 1068
<b>Total</b>	<b>6053 + 4 = 6057</b>
<b>Governor</b>	
(Vote For 1)	
REP Greg Abbott	4946 + 1 = 4947
DEM Lupe Valdez	1027 + 3 = 1030
LIB Mark Jay Tippetts	95
<b>Total</b>	<b>6068 + 4 = 6072</b>
<b>Lieutenant Governor</b>	
(Vote For 1)	
REP Dan Patrick	4415 + 1 = 4416
DEM Mike Collier	1489 + 3 = 1492
LIB Kerry Douglas McKennon	137
<b>Total</b>	<b>6041 + 4 = 6045</b>
<b>Attorney General</b>	
(Vote For 1)	
REP Ken Paxton	4697 + 1 = 4698
DEM Justin Nelson	1221 + 3 = 1224
LIB Michael Ray Harris	111
<b>Total</b>	<b>6029 + 4 = 6033</b>
<b>Comptroller of Public Accounts</b>	
(Vote For 1)	
REP Glenn Hegar	4797 + 2 = 4799
DEM Joi Chevalier	1010 + 2 = 1012
LIB Ben Sanders	180
<b>Total</b>	<b>5987 + 4 = 5991</b>
<b>Comm of the General Land Office</b>	
(Vote For 1)	
REP George P. Bush	4724 + 2 = 4726
DEM Miguel Suazo	1039 + 2 = 1041
LIB Matt Pina	229
<b>Total</b>	<b>5992 + 4 = 5996</b>

COMBINED

Total 6127

# Public Results

Machine ID: A Machine #: 4517023046

Hockley County, Texas  
2018 General Election  
11/06/2018

11/06/2018 21:22:39

First Ballot Date Time: 11/06/2018 12:28:36  
Last Ballot Date Time: 11/06/2018 21:21:12

Total Sheets Processed: 6118  
Total Ballots Cast: 6118  
Blank Sheets Cast: 13

Contest	Votes
<b>Commissioner of Agriculture</b>	
(Vote For 1)	
REP Sid Miller	4778 + 1 = 4779
DEM Kim Olson	1121 + 3 = 1124
LIB Richard Carpenter	113
<b>Total</b>	<b>6012 + 4 = 6016</b>
<b>Railroad Commissioner</b>	
(Vote For 1)	
REP Christi Craddick	4846 + 1 = 4847
DEM Roman McAllen	1014 + 2 = 1016
LIB Mike Wright	142 + 1 = 143
<b>Total</b>	<b>6002 + 4 = 6006</b>
<b>Justice, Supreme Ct, PI 2</b>	
(Vote For 1)	
REP Jimmy Blacklock	4838 + 1 = 4839
DEM Steven Kirkland	1142 + 3 = 1145
<b>Total</b>	<b>5980 + 4 = 5984</b>
<b>Justice, Supreme Ct, PI 4</b>	
(Vote For 1)	
REP John Devine	4862 + 1 = 4863
DEM R.K. Sandill	1105 + 3 = 1108
<b>Total</b>	<b>5967 + 4 = 5971</b>
<b>Justice, Supreme Ct, PI 6</b>	
(Vote For 1)	
REP Jeff Brown	4842 + 2 = 4844
DEM Kathy Cheng	1127 + 2 = 1129
<b>Total</b>	<b>5969 + 4 = 5973</b>
<b>Presiding Judge, Ct of Crim App</b>	
(Vote For 1)	
REP Sharon Keller	4778 + 1 = 4779
DEM Maria T. (Terri) Jackson	1093 + 3 = 1096
LIB William Bryan Strange III	112
<b>Total</b>	<b>5983 + 4 = 5987</b>
<b>Judge, Ct of Crim App, PI 7</b>	
(Vote For 1)	
REP Barbara Parker Hervey	4861 + 2 = 4863
DEM Ramona Franklin	1108 + 2 = 1110
<b>Total</b>	<b>5969 + 4 = 5973</b>
<b>Judge, Ct of Crim App, PI 8</b>	
(Vote For 1)	
REP Michelle Slaughter	4979 + 2 = 4981
LIB Mark Ash	603 + 2 = 605
<b>Total</b>	<b>5582 + 4 = 5586</b>
<b>State Rep, District 88</b>	
(Vote For 1)	
REP Ken King	4923 + 3 = 4926
DEM Ezekiel Barron	1093 + 1 = 1094

COMBINED

# Public Results

Machine ID: A Machine #: 4517023046

Hockley County, Texas  
2018 General Election  
11/06/2018

11/06/2018 21:22:39

First Ballot Date Time: 11/06/2018 12:28:36  
Last Ballot Date Time: 11/06/2018 21:21:12Total Sheets Processed: 6118  
Total Ballots Cast: 6118  
Blank Sheets Cast: 13

Contest	Votes
<b>Total</b>	<b>6016 + 4 = 6020</b>
<b>Justice, 7th Ct of App Dist, PI 2</b> (Vote For 1) REP Judy Parker	5228 + 3 = 5231
<b>Total</b>	<b>5228 + 3 = 5231</b>
<b>Justice, 7th Ct of App Dist, PI 3</b> (Vote For 1) REP Pat Pirtle	5201 + 3 = 5204
<b>Total</b>	<b>5201 + 3 = 5204</b>
<b>District Judge, 286th Judicial Dist</b> (Vote For 1) REP Pat Phelan	5319 + 4 = 5323
<b>Total</b>	<b>5319 + 4 = 5323</b>
<b>County Judge</b> (Vote For 1) REP Sharla Baldrige DEM Wally DeLossantos	5007 + 3 = 5010 1008 + 1 = 1009
<b>Total</b>	<b>6015 + 4 = 6019</b>
<b>Trustee Whitharral ISD</b> (Vote For 4) Michael De La Cruz Anthony Albus James Coronado Chris Driver Jason Dobrovolny Monty Rodgers BJ Kennedy Shane Wischkaemper	52 95 24 58 104 69 47 44
<b>Total</b>	<b>493</b>
<b>PROPOSITION A</b> (Vote For 1) FOR AGAINST	114 53
<b>Total</b>	<b>167</b>

COMBINED

## SUMMARY OF PRECINCT RETURNS

I, the undersigned, the presiding officer of the canvassing authority for GENERAL Election, held on the 6<sup>TH</sup> day of NOVEMBER, 2018, HOCKLEY County, Texas do hereby certify that the following is a total of all votes received by each candidate and votes received "for" and "against" each measure as shown by the precinct returns. I further certify that the following vote totals include early voting votes by precinct received under Section 87.1231 of the Texas Election Code.

Name of Office/ Or proposition	Name of Candidate	Total Votes Received
United States Senator	Ted Cruz	4844
	Beto O'Rourke	1211
	Neal M. Dikeman	39
US Representative, District 19	Jodey Arrington	4989
	Miguel Lavario	1068
Governor	Greg Abbott	4947
	Lupe Valdez	1030
	Mark Jay Tippetts	95
Lieutenant Governor	Dan Patrick	4416
	Mike Collier	1492
	Kerry Douglas McKennon	137
Attorney General	Ken Paxton	4698
	Justin Nelson	1224
	Michael Ray Harris	111
Comptroller of Public Accounts	Glenn Hegar	4799
	Joi Chevalier	1012
	Ben Sanders	780



Commissioner of the General Land Office	George p. Bush	4726
	Miguel Suazo	1041
	Matt Pina	229
Commissioner of Agriculture	Sid Miller	4779
	Kim Olson	1124
	Richard Carpenter	113
Railroad Commissioner	Christi Craddick	4847
	Roman McAllen	1016
	Mike Wright	142
Justice Supreme Court, Place 2	Jimmy Blacklock	4839
	Steven Kirkland	1145
Justice Supreme Court, Place 4	John Devine	4863
	R.K. Sandill	1108
Justice Supreme Court, Place 6	Jeff Brown	4844
	Kathy Cheng	1129
Presiding Judge, Court of Criminal Appeals	Sharon Keller	4779
	Maria T. (Terri) Jackson	1096
	William Bryan Strange III	112
Judge, Court of Criminal Appeals, Place 7	Barbara Parker Hervey	4863
	Ramona Franklin	1110
Judge, Court of Criminal Appeals, Place 8	Michelle Slaughter	4981
	Mark Ash	605
State Representative, District 88	Ken King	4926
	Ezekiel Barron	1094
Justice, 7 <sup>th</sup> Court of Appeals District, Place 2	Judy Parker	5231

Justice, 7<sup>th</sup> Cour of Appeals

District, Place 3

Pat Pirtle

5204

District Judge, 286<sup>th</sup> Judicial District

Pat Phelan

5323

County Judge

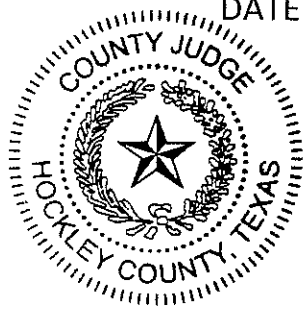
Sharla Baldrige

5010

Wally DeLossantos

1009

DATED, this 19<sup>th</sup> day of November, 2018.



Sharla Baldrige  
Presiding Officer

There being no further business to come before the Court, the Judge declared  
Court adjourned, subject to call.

The foregoing Minutes of a Commissioner's Court meeting held on the 19<sup>th</sup>  
day of November, A. D. 2018, was examined by me and approved.

Curtis Thruer  
Commissioner, Precinct No. 1

J. L. Barnett  
Commissioner, Precinct No. 3

Jenny Cuts  
Commissioner, Precinct No. 2

Tommy Cleverger  
Commissioner, Precinct No. 4

Shirley Buldrige  
County Judge

Jennifer Palermo  
JENNIFER PALERMO, County Clerk, and  
Ex-Officio Clerk of Commissioners' Court  
Hockley County, Texas

